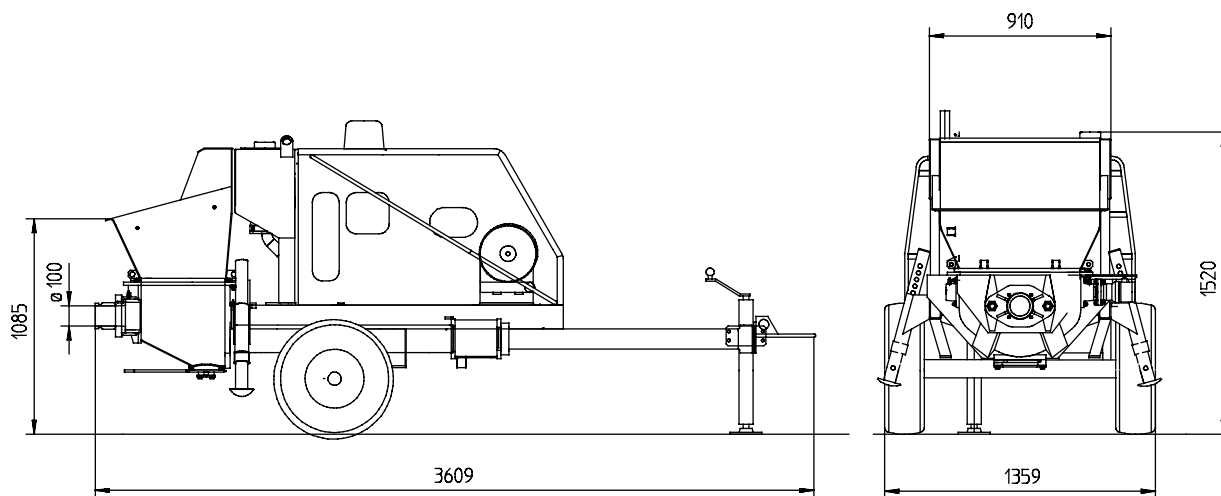


Concrete pump

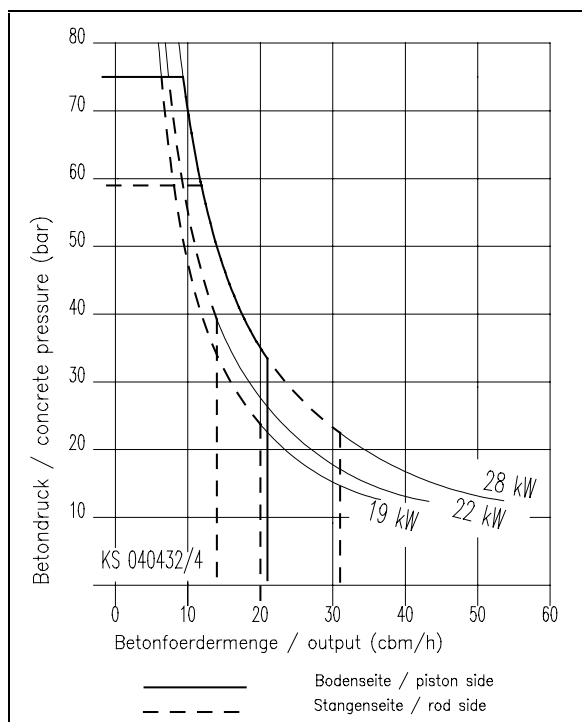
Output up to 31 m³/h
 Delivery pressure up to 75 bar

BSA 1002 -D BSA 1002 -E BSA 1003 -D



Note: Standard version. Dimensions and weights depend on equipment.

Performance diagram



Technical data for concrete pump

| Model | BSA | 1002 -D | 1002 -E ** | 1003 -D |
|----------------------|-------------------|-------------------------|------------|------------|
| Material number | | 100714.005 | 100715.004 | 100816.000 |
| Output | m ³ /h | 20 | 14 | 31 / 21 * |
| Delivery pressure | bar | 75 | | 59 / 75 * |
| Delivery cylinder | Ø mm | 120 | | 150 |
| Delivery cyl. stroke | mm | 1000 | | |
| Strokes / minute | | 29 | 21 | 30 / 21 * |
| Engine / motor power | kW | 19 | 22 ** | 28 |
| Hopper | | TS 300 | | |
| Capacity | l | approx. 230 | | |
| Filling height | m | approx. 1.1 | | |
| Transfer tube | | S 1210 | | |
| Pressure connection | | 4.5" | | |
| Control system | | fully hydraulic (VHS-L) | | |
| Weight | kg | 1350 | | 1500 |

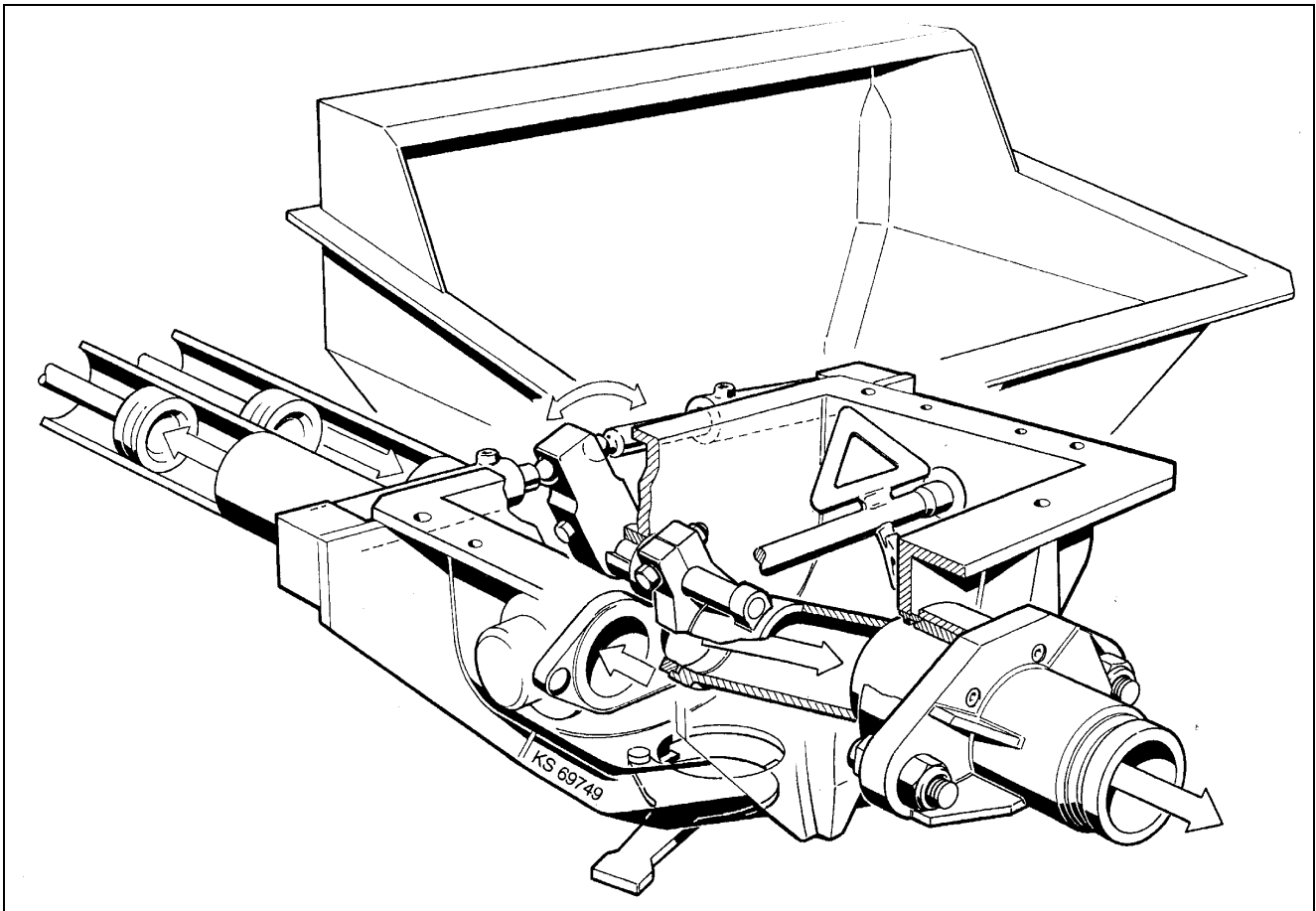
* Values for hydraulic fluid being fed to piston-side.

** Electric motor with 50 Hz.

All data maximum theoretical.

Alterations due to technical progress reserved.
 Please see quotation for exact serial delivery scope.

Hopper with transfer tube



Delivery scope

- central lubrication strip hopper
- cleaning accessories
- concrete hopper with agitator
- coupling ring (DIN)
- drive Diesel, Deutz 19 KW (BSA 1002 -D)
- drive electric 22 KW BSA 1002 -E)
- drive Diesel, Deutz 28 KW (BSA 1003 -D)
- grill 30 mm
- operating manuals 2xcert.and spare part lists
- painting: MB 1227 chrome yellow
- set of tools
- support legs 3x mechan.
- trailer F 8, can be driven on job site

Optional extras

On request